



### WARNING

- Tampering of the device exposes to electrical hazard or malfunction.
- For remote sensor all wirings must be made using wires with 1.5 mm<sup>2</sup> minimum section and no longer than 25 m. Do not use same duct for signal wires and mains.
- The appliance must be wired to the electric mains through a switch capable of disconnecting all poles in compliant with the current safety standards and with a contact separation of at least 3 mm in all poles.
- Installation and electrical wirings of this appliance must be made by qualified technicians and in compliance with the current standards.
- Before wiring the appliance be sure to turn the mains power off.

### \* NOTE:

- System configuration which contemplates the detector and a remote sensor is not covered by the conformity to IMQ marking.

### WARNING! In case of an alarm:

- 1) Extinguish all fire sources.
- 2) Close main gas valve (either methane or LPG).
- 3) Do not turn on or off any electrical light; do not turn on or off any electrical device.
- 4) Open doors and windows to increase ventilation.

If the alarm stops it is necessary to search the possible cause and consequently provide.

In case the alarm persists and the cause of the leak cannot be found, vacate the premises and, from external, immediately notify the gas emergency service.

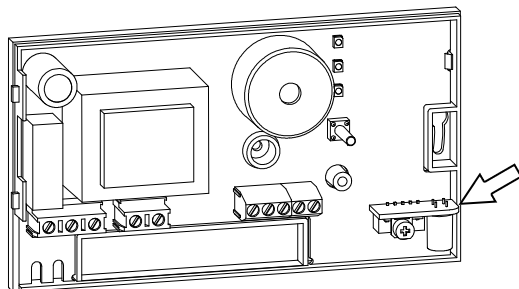
### WARRANTY

In the view of a constant development of their products, the manufacturer reserves the right for changing technical data and features without prior notice. The consumer is guaranteed against any lack of conformity according to the European Directive 1999/44/EC as well as to the manufacturer's document about the warranty policy. The full text of warranty is available on request from the seller.

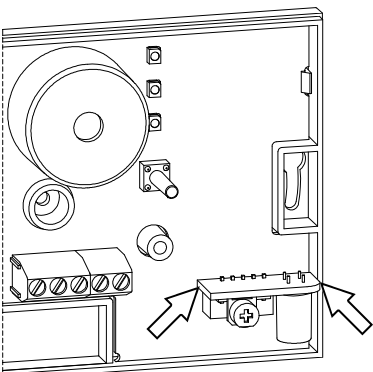
### SENSOR REPLACEMENT

Every five years (max twice) the internal sensor module must be replaced with a new precalibrated sensor module. The replacement must be done by qualified personnel according to the following instructions:

1. Use the relevant sensor module part:  
SEGUGIO *plus* L: AC MG01  
SEGUGIO *plus* M: AC MM01
2. Remove the power supply from the detector.
3. Remove the detector's panel as shown in Fig. 2.
4. Spot the sensor module to be replaced:

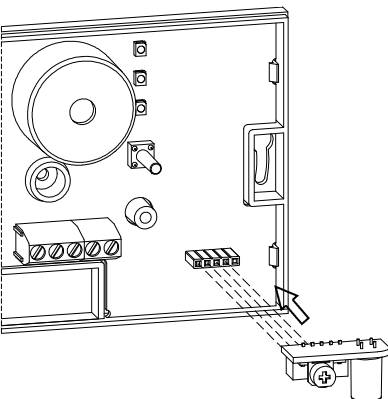


5. Remove the old sensor module, holding firmly the edges of the board and pulling it out:



6. Insert the new sensor in the relevant connector. Attention must be paid in that the module's pins match the relevant detector's female connector.

**WARNING: The sensor module must be installed with its components facing downwards.**



7. Reposition the front panel on the detector and tighten the relevant screw.
8. Power up the detector and check for its correct operation.
9. Fill in the detector's warning label or fill in the new label supplied with the spare sensor module and stick it on the detector.  
Note: that the warning label's date must be 5 years ahead the set up of the new sensor module.

RGDGLMP1RSE 033780 231219

# SEGUGIO *plus*



Via del Commercio, 9/11  
36065 Mussolente (VI) - ITALY  
Tel.: +39.0424.567842  
Fax.: +39.0424.567849  
<http://www.seitron.it>  
e-mail: [info@seitron.it](mailto:info@seitron.it)

## GAS LEAK DETECTOR

- LPG version: (SEGUGIO *plus* L)
- Methane version: (SEGUGIO *plus* M)
- Replaceable semiconductor sensor
- 230V~ power supply
- Buzzer and relay in case of alarm
- Alarm test key
- IMQ certificate
- **Flush mount over 2 modules junction boxes (square or round shaped)**

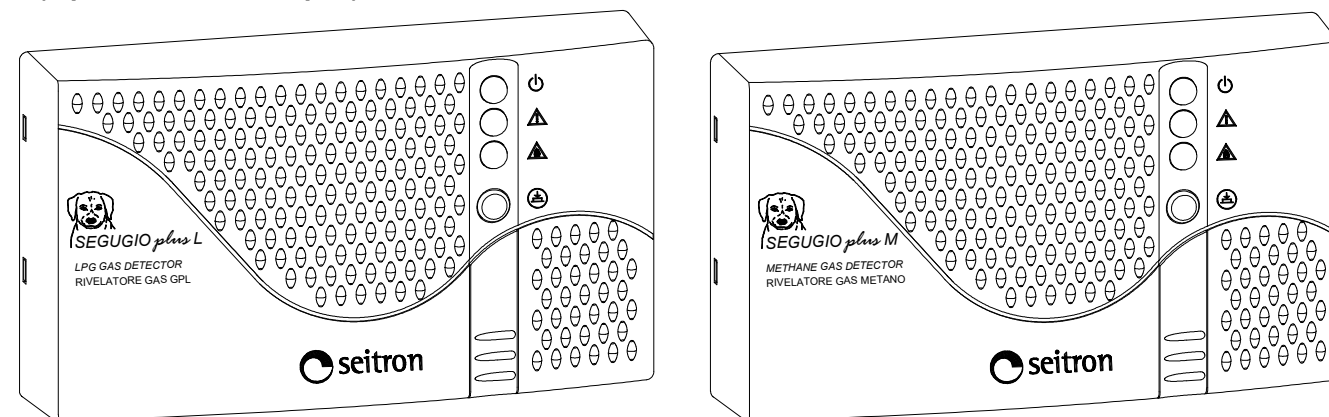


Fig. 1: SEGUGIO *plus* - external aspect



### WARNING

THE INSTALLATION OF THE DETECTOR DOESN'T EXEMPT FROM THE OBSERVANCE OF ALL RULES ABOUT THE CHARACTERISTICS, INSTALLATIONS AND THE USE OF THE GAS DEVICES, THE VENTILATION OF THE ROOMS AND THE EMISSIONS OF THE PRODUCTS OF THE COMBUSTION PRESCRIBED FROM UNI STANDARDS AND THE PROVISIONS OF THE LAW.

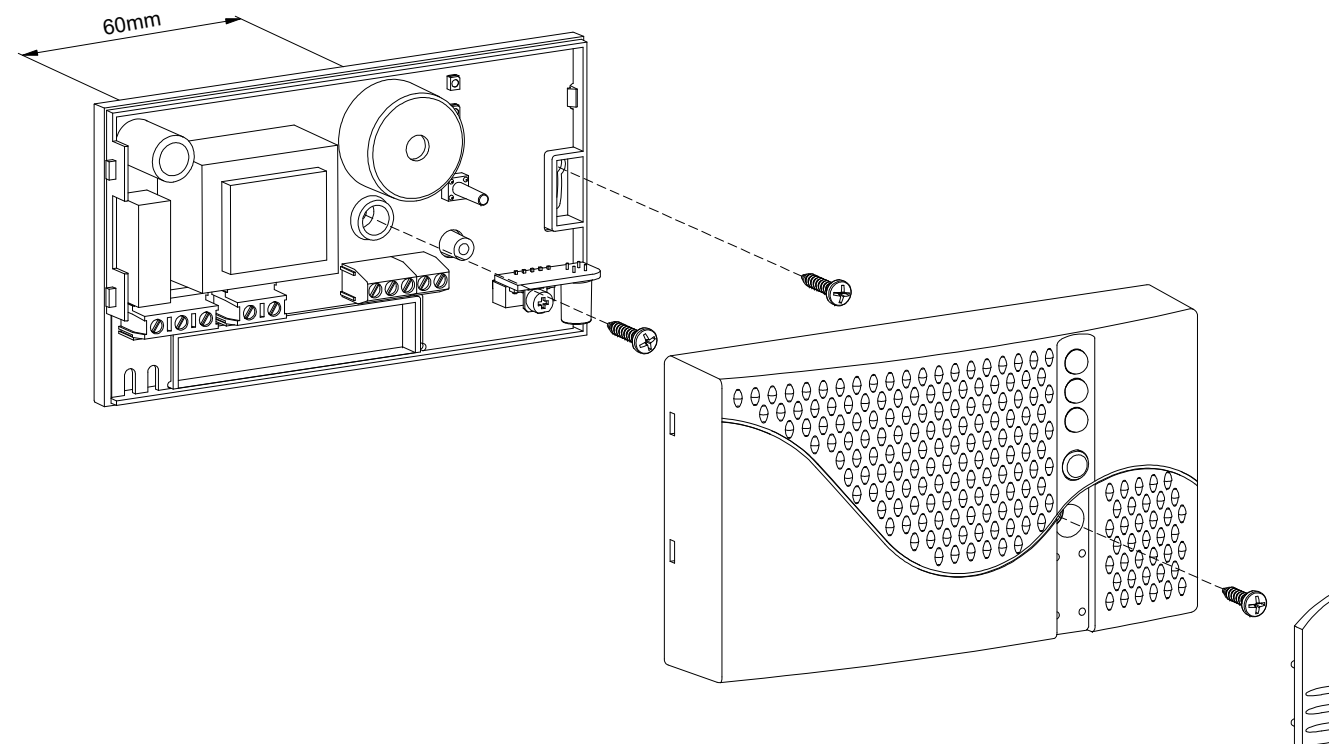
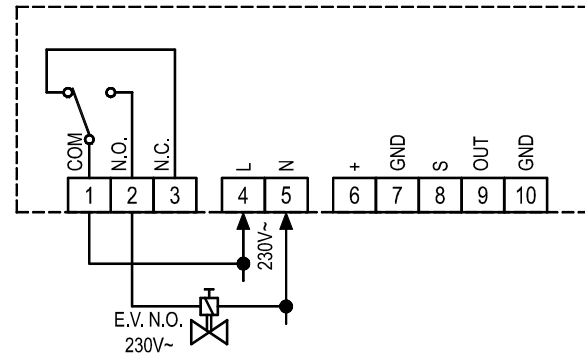


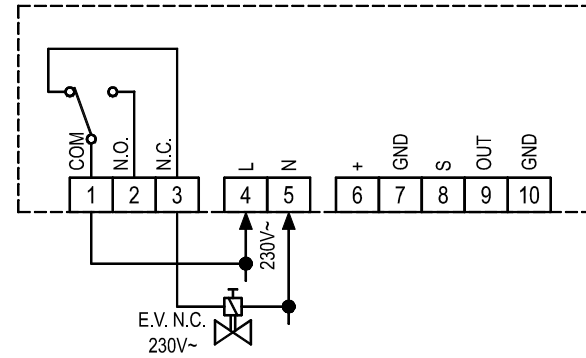
Fig. 2: Installation example of SEGUGIO *plus* -

RGDGLMP1RSE 033780 231219

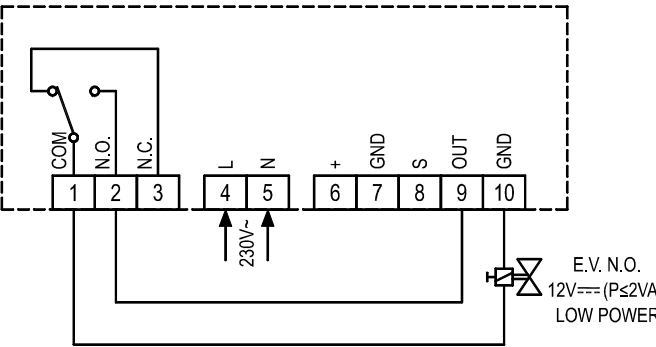
## WIRING DIAGRAM



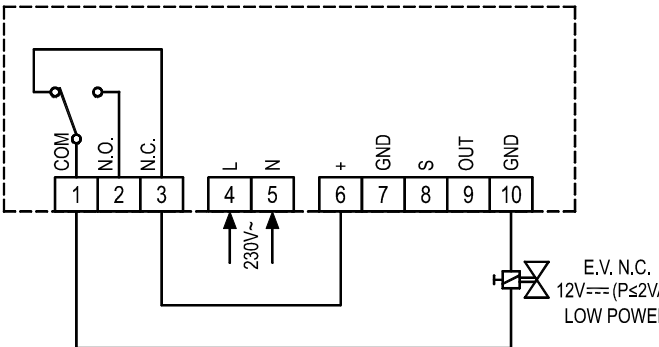
**Fig. 3:** Wiring diagram with a manual reset normally open 230V~ electro-valve and 230V~ power supply.



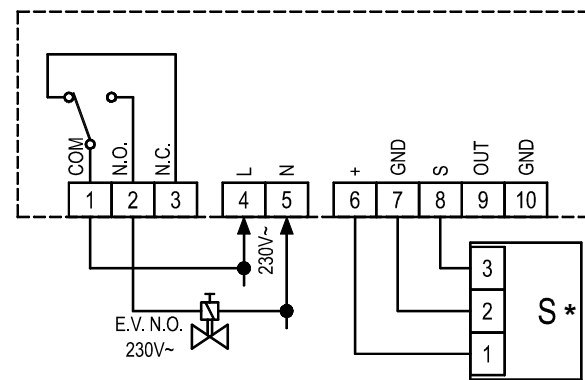
**Fig. 4:** Wiring diagram with a manual reset normally closed 230V~ electro-valve and 230V~ power supply.



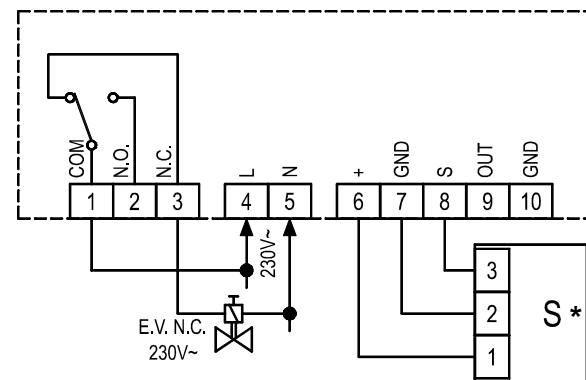
**Fig. 5:** Wiring diagram with a manual reset normally open 12V~ (P≤2VA) electro-valve and 230V~ power supply. Use only low absorption electro-valves.



**Fig. 6:** Wiring diagram with a manual reset normally closed 12V~ (P≤2VA) electro-valve and 230V~ power supply. Use only low absorption electro-valves.



**Fig. 7:** Wiring diagram with a manual reset normally open 230V~ electro-valve and remote sensor \* (cod.: SGA ---).



**Fig. 8:** Wiring diagram with a manual reset normally closed 230V~ electro-valve and remote sensor \* (cod.: SGA ---).

RGDGLM/IRSE 033780 231219

## TECHNICAL FEATURES

Power supply: 230V~ ±10% 50/60Hz  
 Power absorption: 6VA  
 Sensor type: Semiconductor SnO<sub>2</sub>, replaceable

Detected gas:  
 SEGUGIO plus L: LPG  
 SEGUGIO plus M: Methane

Calibration threshold: 10% L.E.L.  
 Contact ratings: 6(2)A 250V~ SPDT  
 Indicators: Operation: Green led  
 Alarm: Red led  
 Fail: Yellow led  
 Alarm: Buzzer  
 Activation delay: ~ 30 seconds  
 Relay activation delay: ~ 5 seconds  
 Sensor lifetime: 5 years  
 Operating temperature: 0°C .. 40°C  
 Storage temperature: -10°C .. +50°C  
 Humidity limits: 20% .. 80% RH (non condensing)

Protection grade: IP 42  
 Case: Material: ABS V0 self-extinguishing  
 Color: Signal white (RAL 9003)  
 Cover: Mouse grey (RAL 7005)  
 Details: Mouse grey (RAL 7005)  
 Size: 148 x 84 x 40 mm (W x H x D)  
 Weight: ~ 300 gr.

## OPERATION

The SEGUGIO plus (Fig. 1) is a flammable gas leakage domestic detector. When exposed to a gas concentration much lower than the danger level, the detector turns on a red light and a buzzer, then, after 5 seconds it, turns on a relay which can be used to stop the gas supply.

Note: The user might sense the presence of gas before the detector does; this happens because the distribution companies use to add odorizers to natural gas and GPL. This sensation changes a lot from person to person, and depends on the exposure time.

The device is provided of a test button '⊕'. Hold the button '⊕', the test mode is entered: the green, yellow and red LEDs turn on, also the buzzer beeps, after 5 seconds the relay switches.

The SEGUGIO plus is equipped with a delay line which avoids the intervention of the alarm system (in order for the gas sensor to heat up) whenever the device is turned on or even after a mains black-out, when the power comes back. After such a time delay (about 30 seconds), a green indicator turns on in order to indicate the 'active' state for the detector itself.

The SEGUGIO plus also features an auto-diagnostic system for checking the sensor good conditions.

When the yellow indicator is turned on (sensor fail) the possible causes must be searched among the following:

- sensor fail;
- sensor disconnected;
- detector malfunctioning.

The SEGUGIO plus can be wired to a remote sensor \* (cod.: SGA ---) so that a further room can be controlled (Fig. 7 and 8). In case the alarm comes from the remote sensor, it is directly indicated on the SEGUGIO plus together with a red flashing light; moreover, should the alarm last more than 5 seconds, even the relay is activated.

## INSTALLATION

This device is intended for wall mount only, with relevant electrical wiring made through the fixed wiring, not exposed to people and connected to the fixed electrical wiring. The device safety and operational features are only granted when the electrical wiring is made through the proper opening for cables located in the plastic plate.

In order to reach the wiring zone, remove the plastic plate on the cover as indicated in Fig. 2 and remove the screw beneath.

Make electrical wirings as indicated in Fig. 3, 4, 5, 6, 7 or 8. Please note that the intervention delay is strictly dependant both on a correct positioning of the detector in the room and to the type of gas to be detected. In case of 'heavy' gases as for LPG an installation in low places is advisable (roughly 30 cm from floor), instead for 'light' gases as for methane in high places (roughly 30 cm from ceiling).

Please avoid to install this gas detector in any position in which its operational features could be compromised, such as the following:

- in an enclosed space (e.g. in a cupboard or behind a curtain);
- directly above a sink;
- next to a door or window;
- next to an extractor fan;
- in an area where the temperature may drop below - 10°C or exceed + 40°C;
- where dirt and dust may block the sensor;
- in a damp or humid location.

Do not use the following substances in the device immediate adjacency:

- alcohol, fuels
  - solvents and diluents
  - adhesives, silicones products and colours
  - cleaning detergents
  - perfumes
  - spray products in general
- Clean the device only using a cloth damped with water.

In order to grant a real safety, a gas detector must be coupled to an electro-valve capable of blocking the gas flow in the event of an alarm.

Both the gas unit and the solenoid valve must comply with the law prescriptions in force in the country concerned.

These electro-valves can be coupled to SEGUGIO plus:

- 230V~ normally open electro-valve
- 230V~ normally closed electro-valve
- 12V~ (P≤2VA) normally open electro-valve, low absorption
- 12V~ (P≤2VA) normally closed electro-valve, low absorption

In order to check the proper efficiency of the device sensor a specific test gas bottle (optional) is made available which must be used according to the enclosed instructions.

**WARNING: Any other method for testing, such as the use of cigarette lighters, flammable vapours etc., can lead to wrong conclusions as well as to the irreversible damage of the sensor itself.**

## WARNING

The installer is reminded to fill in and apply the sticking label supplied with the product by writing the installation date of the product, the date before which the sensor module must be replaced, the date before which the sensor module must be replaced the second and last time and finally the date before which the entire detector must be replaced.

The latter is stated on 15 solar years from the installation date of the product. This label must be applied, at installer care, on a visible side of the gas detector once it has been fixed in its typical installation position.

Warning label:

READ CAREFULLY THE INSTRUCTIONS BEFORE REPLACING THE SENSOR	
DE-ENERGISE THE DEVICE BEFORE REPLACING THE SENSOR	
Installation date of the device:	_____
Next sensor replacement date (1 <sup>st</sup> ):	_____
Next sensor replacement date (2 <sup>nd</sup> ):	_____
Entire device replacement date:	_____
DEVICE LIFETIME:	15 YEARS FROM FIRST INSTALLATION
SENSOR LIFETIME:	5 YEARS

The sensor module can be replaced only twice and the replacement must be done by qualified personnel only.

RGDGLM/IRSE 033780 231219