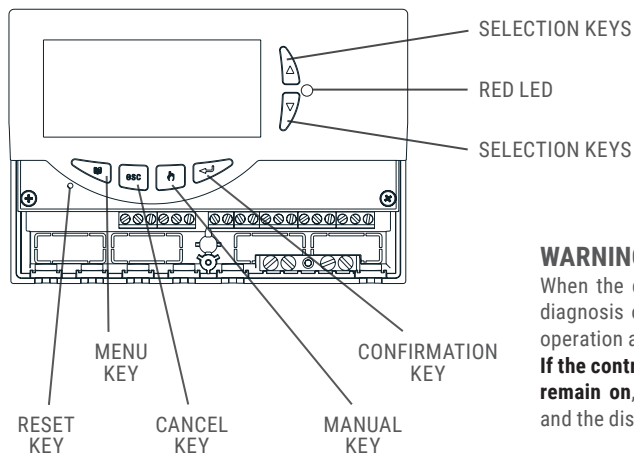


TECHNICAL FEATURES

Power supply:	230V~ 50Hz	Max allowed PWM cable length:	< 5m.
Power absorption:	4 VA	Protection grade:	IP 40
Sensors type:	4 x Pt1000 Class B DIN	Type of action:	1
Sensor operating range:	-50 °C .. +200 °C (collector) -50 °C .. +110 °C (Boiler)	Overvoltage category:	II
Temperature reading range:	-40,0°C .. 260,0°C	Pollution degree:	2
Accuracy:	± 1 °C	Tracking index (PTI):	175
Resolution:	0,1 °C (0,2 °F)	Class of protection against electric shock:	II
Offset adjustment:	on S1: ±5.0°C on S2: ±5.0°C on S3: ±5.0°C on S4: ±5.0°C	Rated impulse voltage:	2500V
Installer Password:	0000 .. 9999 (default 0000)	Number of manual cycles:	50000
Acoustic Signal:	On/Off (default On)	Number of automatic cycles:	100000
Backlight timing:	20 sec from last keypress	Software class:	A
OUT2 Relay Logic:	NOR=N.O. REV=N.C. non-editable logic for layouts with 2 collectors (default N.O.)	EMC test voltage:	230V~ 50Hz
OUT3 Relay Logic:	NOR=N.O. REV=N.C. (default N.O.)	EMC test current:	34mA
OUT4 Relay Logic:	NOR=N.O. REV=N.C. (default N.O.)	Distances tolerances fault mode 'short' exclusion:	±0,15mm
Output relay contacts rating:		Ball pressure test temperature:	75°C
OUT1 - OUT2 - OUT3 - OUT4:	4x2(1)A max 230V~(SPST) Voltage free.	Operating temp. range:	0°C .. 40°C
Alarm relay contacts rating:	4(1)A max @ 230V~(SPDT) Voltage free.	Storage temp. range:	-10°C .. +50°C
Output Signal:		Humidity limits:	20% .. 80% RH non-condensing
PWM: Amplitude:	10V ±15%	Case: Material:	ABS V0 self-extinguishing Signal White (RAL 9003)
Frequency:	1KHz	Color:	
Current:	15mA max.	Dimensions:	156 x 108 x 47 mm W x H x D
Risolution:	0.5%	Weight: Version with probe:	~723 gr.
		Version without probe:	~553 gr.
		Installation:	Wall-mount

COMMANDS DESCRIPTION



WARNING!

When the control unit is turned on it will carry out a diagnosis of the internal circuitry to verify its correct operation and the red led will flash three times. **If the control unit reveals no anomalies the red led will remain on**, otherwise it will continue to flash quickly and the display will show the type of error.

TST12M0000SE 042230 280923

ELIOS 25 STANDARD DIGITAL CONTROL UNIT FOR THERMAL SOLAR SYSTEMS

seitron
Innovation Technology

Quick Guide



CONTACT US

customer.care@seitron.it



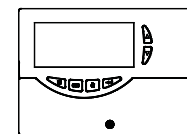
WHATSAPP

+39 329 1444390



SCAN THE QR CODE AND DOWNLOAD THE COMPLETE USER MANUAL.

WHAT'S IN THE PACKAGE

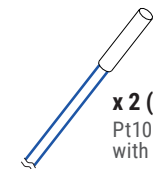


x 1



x 1 (grey cable)

Pt1000 temperature probe with range -50°C .. +200°C



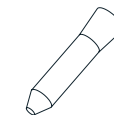
x 2 (blue cable)

Pt1000 temperature probe with range -50°C .. +110°C



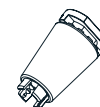
x 6 (white)

Plugs for cable ingress holes



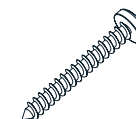
x 2

ø 5mm wall dowels



x 6 (black)

Cable retainer if the cables are mounted from the underside



x 2

Chipboard screw 4x35 mm

WARRANTY

The user is guaranteed against the product's defects of conformity according to European Directive 2019/771 as well as the Seitron warranty terms, available online on the website www.seitron.com. We invite the user to visit our website and check the latest version of technical documents, manuals and catalogs.

INSTALLATION

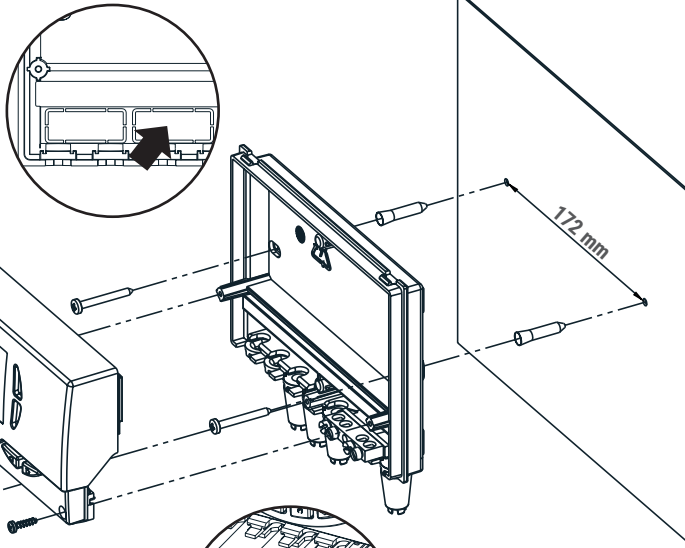


WARNING!

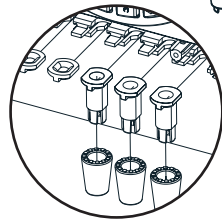
- CAREFULLY READ THE COMPLETE INSTRUCTION MANUAL
- The installation technician shall operate in full compliance with all the applicable technical standards in order to grant the unit safety.
- Before wiring the appliance make sure to turn the mains power off.
- Installation and electrical wirings of this appliance must be made by qualified technicians and in compliance with the current standards.
- When closing the unit please ensure that the removable wiring terminals have been inserted with the correct orientation (the terminals screws must be facing upward).

ASSEMBLY WITH CABLE INPUT ON THE REAR PANEL:

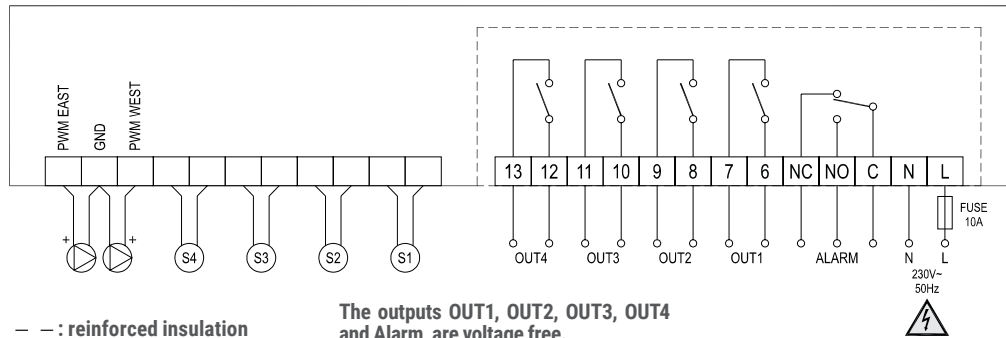
if the cable fasteners (included with the unit) are not required for installation, use a screwdriver to remove the base blocks permitting the cables to pass through, and insert the plugs for cable ingress holes (provided).



ASSEMBLY WITH CABLE INPUT ON THE LOWER SIDE: fit the cable fasteners and/or the plugs for cable ingress holes (provided).



WIRING DIAGRAM



WARNING!

It is advisable to fit a 10A 250V~ fuse on the power unit mains capable to intervene in case of short circuits on loads.

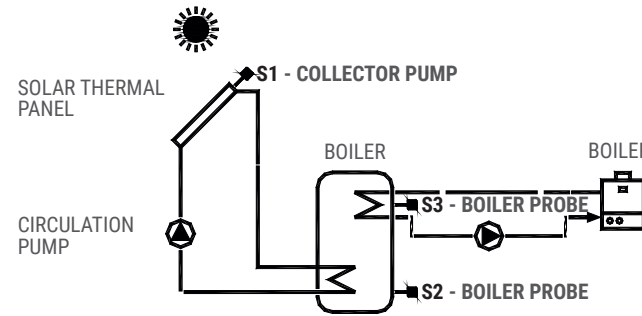
OUT1: Circulation pump output

OUT2: Integrative source output

TERMINAL BOARD GROUNDING: On the base of the control unit case is located a brass terminal board for connecting the ground protection conductors of the load devices connected to the control unit.

- S1:** Pt1000 temperature probe (**probe supplied with grey cable**), with -50°C..+200°C range, to connect it to the collector.
- S2:** Pt1000 temperature probe (**probe supplied with blue cable**), with -50°C..+110°C range, **to connect it to the bottom of the boiler** (cold zone).
- S3:** Pt1000 temperature probe (**probe supplied with blue cable**), with -50°C..+110°C range, **to connect it to the bottom of the boiler** (cold zone).

Standard example for the placement of the three supplied probes:

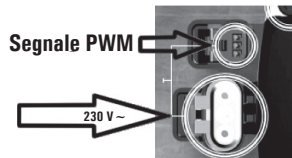
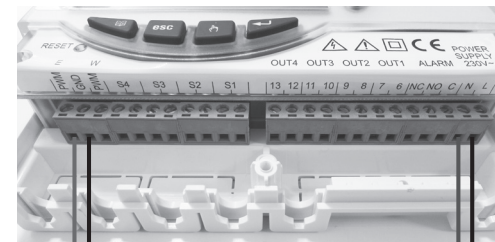


When setting up installations with 2 solar panels, the probes corresponding to S1 and S4 must be exclusively of the -50°C .. +200°C range type.



SEITRON IS THE MANUFACTURER OF THE UNIT. CONSIDERED THE WIDE RANGE OF CIRCULATORS THAT CAN BE COMBINED, THE FOLLOWING DIAGRAMS ARE TO BE CONSIDERED AS INSTALLATION EXAMPLES. REFER TO THE CIRCULATOR MANUAL FOR CORRECT CONNECTION AND PARAMETER SETTING.

WIRING EXAMPLE ONLY FOR SOLAR CIRCULATORS IN ACCORDANCE WITH DIRECTIVE ErP 2015 WITH EXTERNAL PWM SIGNAL.



EXAMPLE OF CONNECTION FOR 3-SPEED SOLAR CIRCULATORS WITH WET or "HIGH EFFICIENCY" ROTOR COMPLIANT WITH DIRECTIVE ErP 2015, WHICH DOES NOT REQUIRE AN EXTERNAL PWM SIGNAL (WITHOUT A CONNECTOR FOR PWM).

